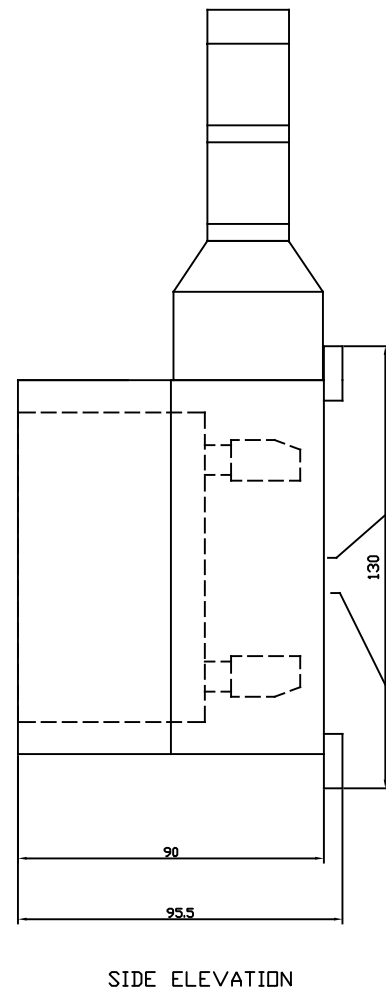
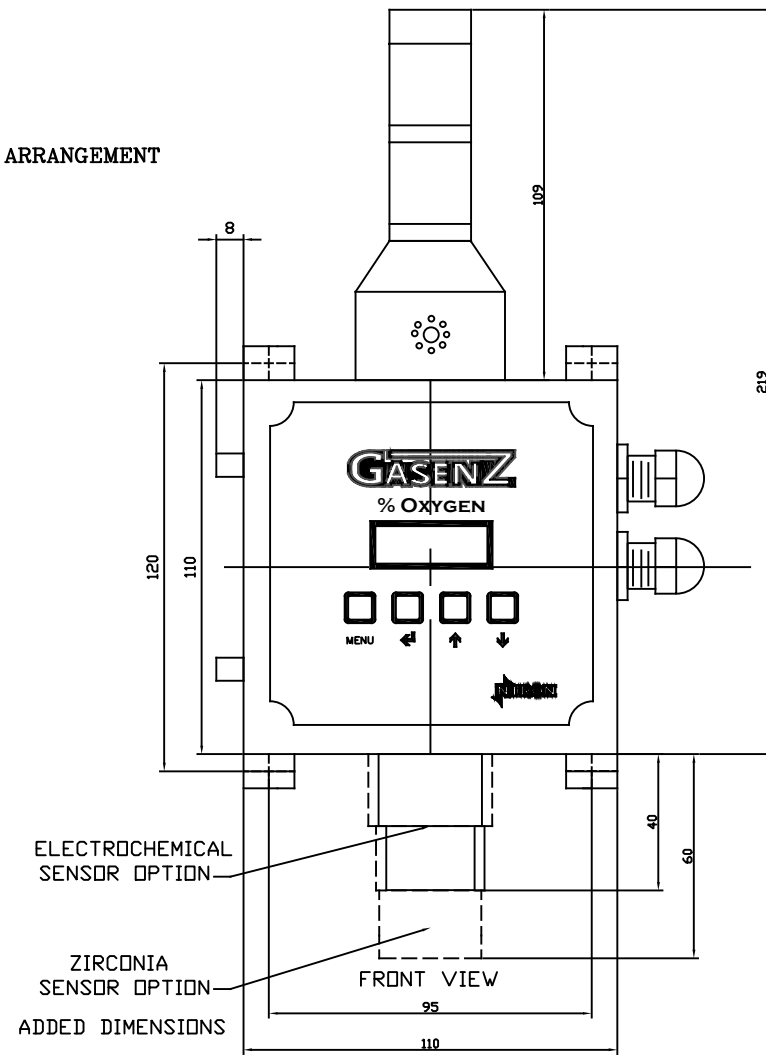
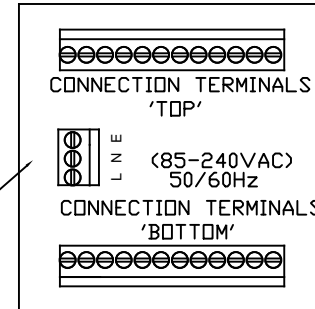


GENERAL ARRANGEMENT

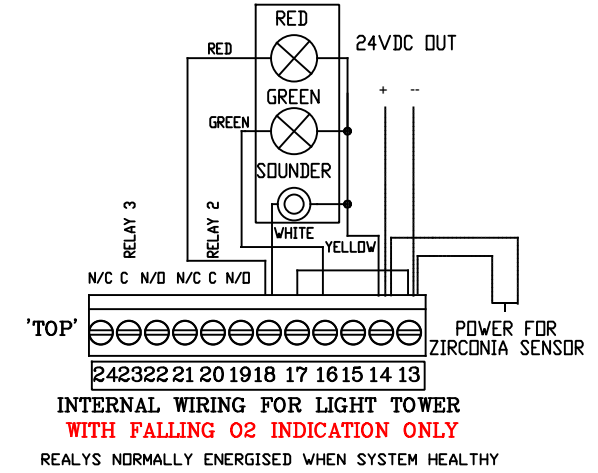
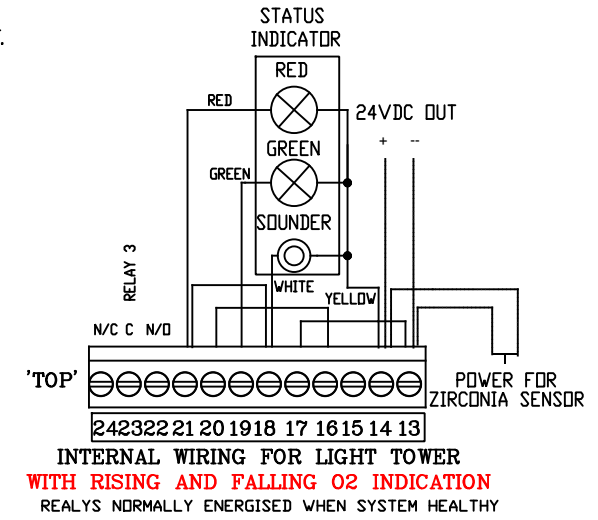
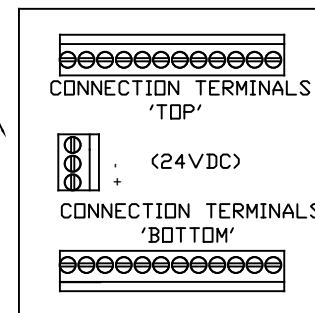


STATUS INDICATOR(LIGHT TOWER) AND SENSOR WIRING IS INTERNAL TO THE GASENZ AND IS BY NTRON.  
TWO OPTIONS: - HIGH AND LOW O2 INDICATION OR LOW O2 INDICATION ONLY.

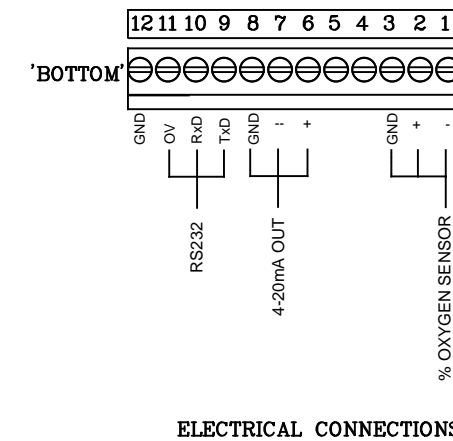
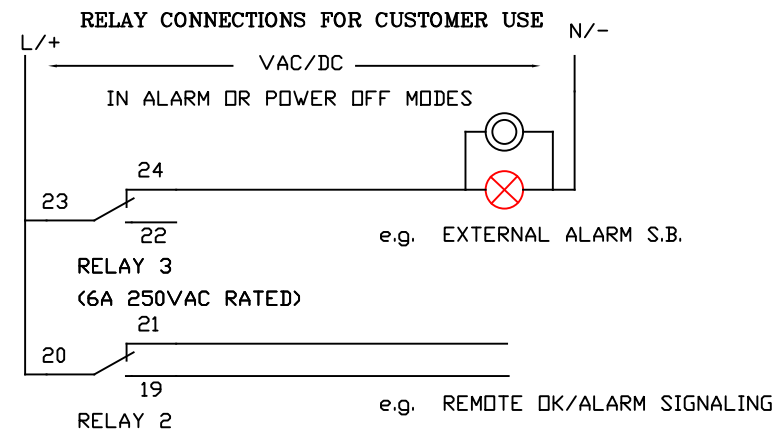
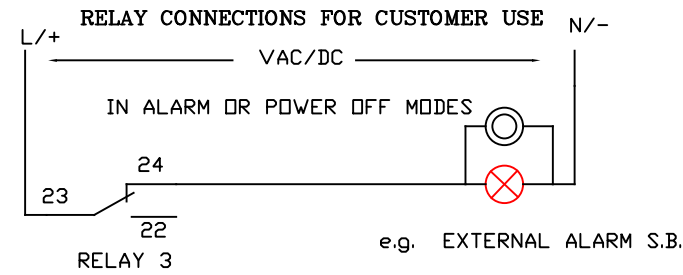
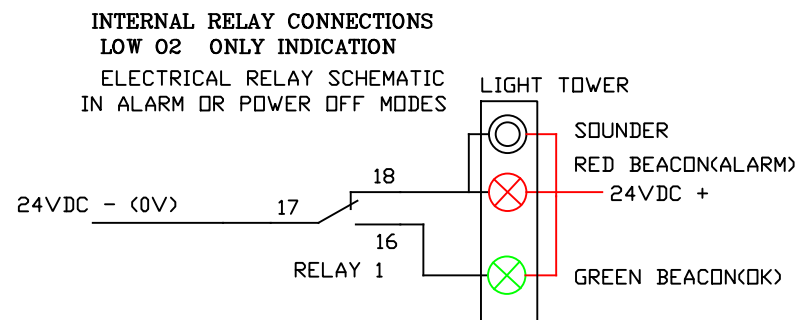
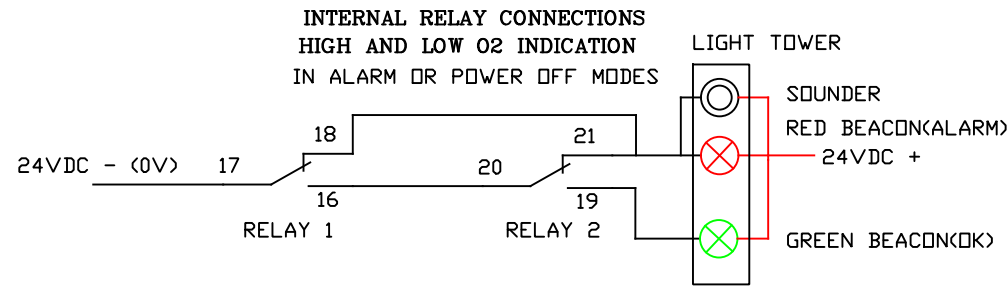
AC VERSION ELECTRICAL CONNECTIONS



DC VERSION ELECTRICAL CONNECTIONS



RELAY ELECTRICAL SCHEMATICS



REV.	DESCRIPTION	DRN.	CHD.	APP.



TITLE: GASENZ GENERAL ARRANGEMENT AND CONNECTION DIAGRAM

S.O. NO.	NOT VALID	DRAWING NUMBER	DRN.	CHD.	APP.	REV.
Q.No.	NOT VALID	SD019	CH	MW	MW	0
SCALE	N.T.S.					
DATE	29/08/2019	PAGE 1	OF	1		