

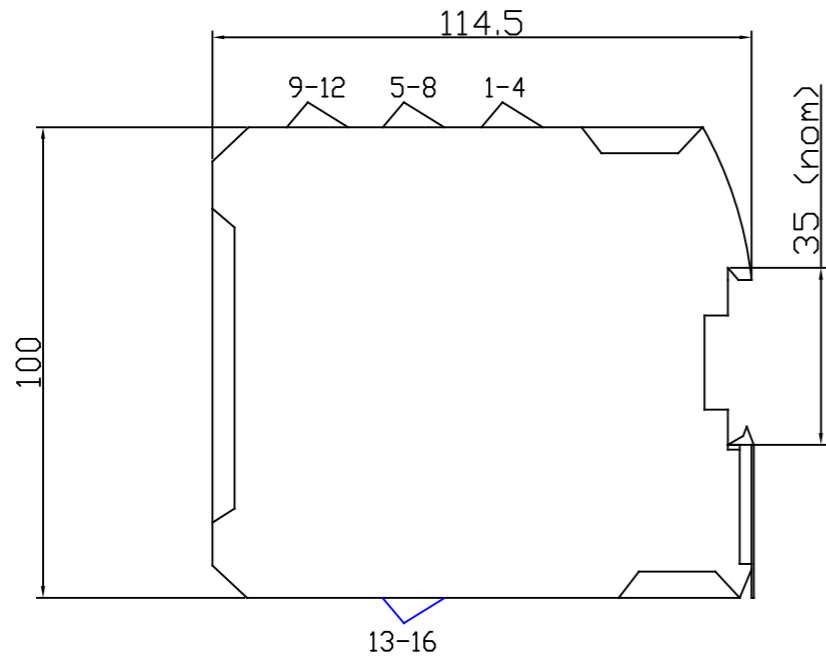
**SIL02 ANALYSER**

**ELECTRICAL INTERFACE CONNECTIONS**

NOTE: ALL RELAYS ARE SHOWN IN THE FAIL CONDITION (NO POWER TO THE ANALYSER)

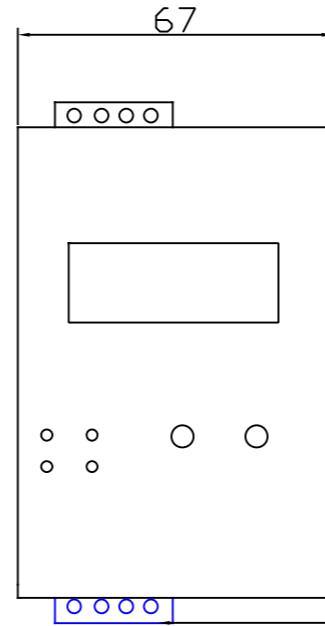
TO COMPLY WITH IEC61508 PART 2, THE ANALYSER DIAGNOSTIC RELAY RL3 MUST BE CONNECTED IN SERIES WITH EITHER THE ANALOGUE OUTPUT OR RELAY OUTPUTS (RL1, RL2), TO PRESENT A SIL RATED OUTPUT TO THE USER'S FINAL SWITCHING ELEMENT. IF THE ANALOGUE OUTPUT IS USED IN THIS WAY, THEN TYPICALLY A SAFETY PLC OR SIMILAR DEVICE WILL BE REQUIRED TO INTERFACE WITH THE ANALOGUE OUTPUT AND THE FINAL SWITCHING DEVICE OF THE SAFETY SYSTEM. ANY SUCH ADDITIONAL DEVICE MUST BE TAKEN INTO ACCOUNT WHEN THE OVERALL ASSESSMENT FOR THE COMPLETE SAFETY INSTRUMENTED SYSTEM IS MADE BY THE USER.

**SIDE ELEVATION**

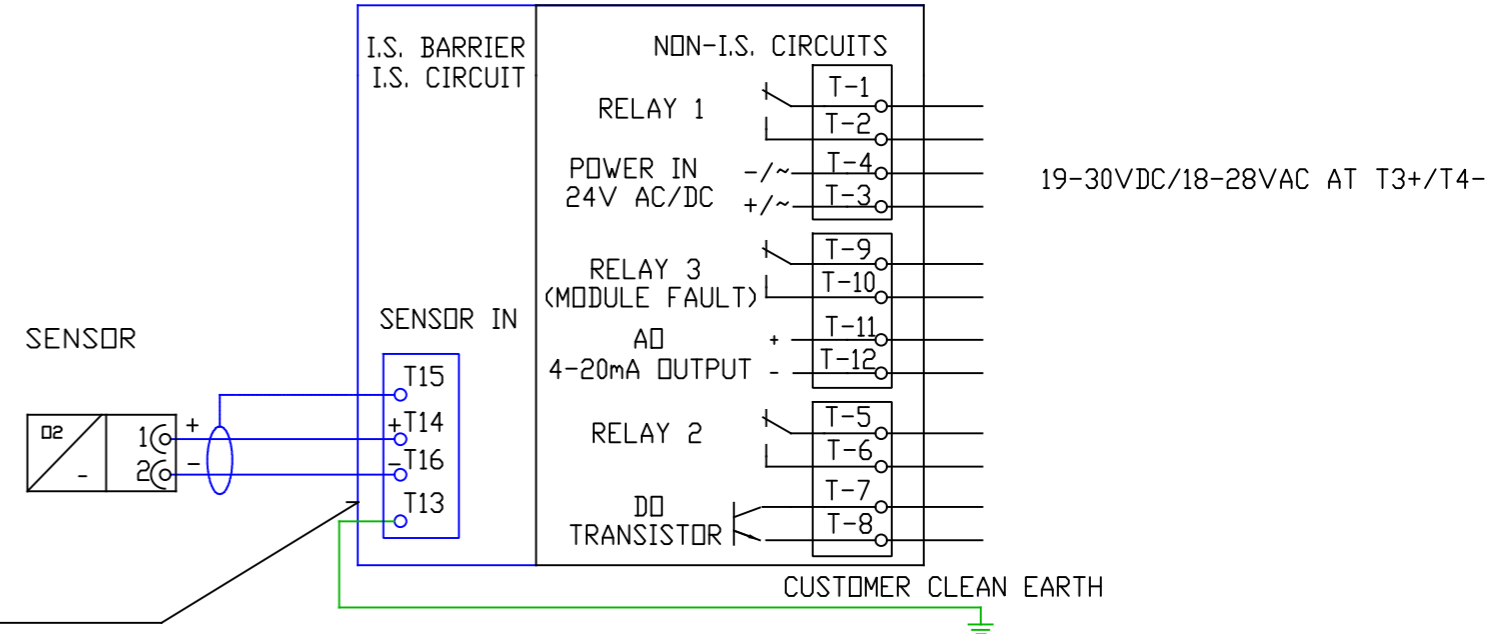


SUITABLE FOR 35x15 OR 35x7.5 MOUNTING RAIL

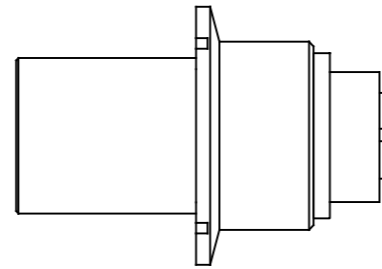
**FRONT ELEVATION**



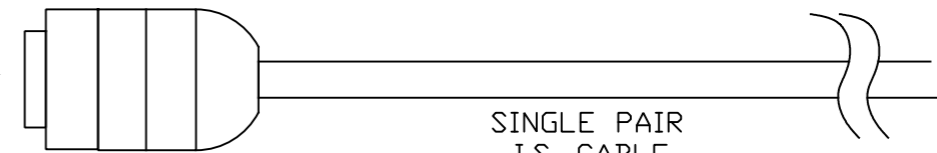
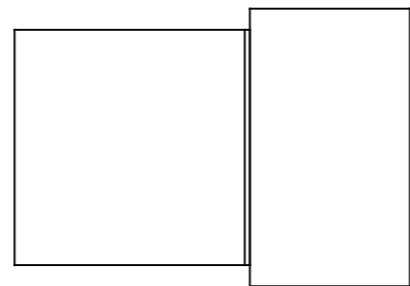
**ELECTRICAL INTERFACE CONNECTIONS**



**KF40 FLANGE  
ELECTROCHEMICAL SENSOR**



**INTERNAL SCREW FITTING  
ELECTROCHEMICAL SENSOR FOR USE WITH  
NTRON'S TRI-CLAMP BASE OR FLOW THROUGH BASE**



**SINGLE PAIR  
I.S. CABLE  
TO CUSTOMER SPECIFIED LENGTH OR STD. 5MTR  
(NTRON SUPPLIED)  
SENSOR CONNECTOR  
(NTRON SUPPLIED)**

REV.	DESCRIPTION	DRN.	CHD.	APP.		TITLE:	SIL02 ANALYSER ELECTRICAL DIAGRAM GENERAL ARRANGEMENT	S.D. NO.	N/A	DRAWING NUMBER	DRN.	CHD.	APP.	REV.	
									Q.No.	N/A	SD015	CH	MW	MW	0
									SCALE	N.T.S.					
									DATE	29-08-2019	PAGE 1	OF			1